

POLARIS [JHF50M]

[SPECIFICATIONS] MEGA PIXEL LENS

Image Size: $\frac{2}{3}$ $\frac{1}{2}$ $\frac{1}{3}$ $\frac{1}{4}$

Focal Length :	50mm	Flange Back :	17.526mm
Maximum Relative Aperture :	1:2.8	Operation :	Focus : Manual Iris : Manual
Iris :	F2.8 - 22	Operation Temperature :	-10 to +50 deg.
Angular Field of View :	9.98 X 7.49 deg.	Mount :	C-Mount
Image Format :	8.8X6.6mm(D11mm)	Front Thread :	25.5mm P0.5
Minimum Object Distance :	0.5m(From Front Vertex)	Size, Weight :	D29X38.5mm, Approx. 55g
Object Dimensions at M.O.D :	6.8X5.1cm		
Optical Back Focal Distance :	21.2mm(In Air)		

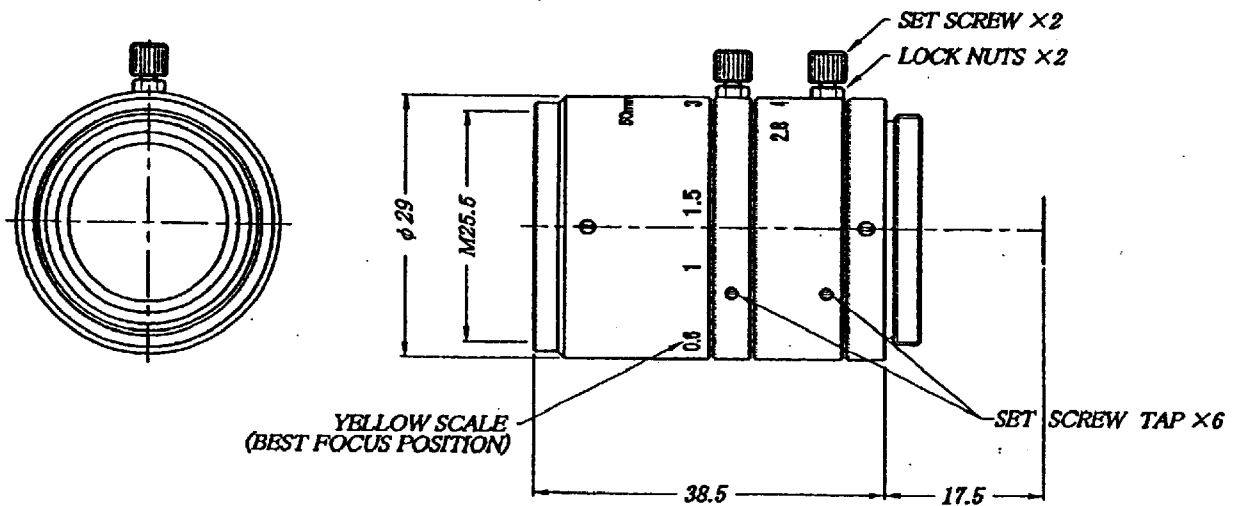
[RESOLUTION]

140 LINE / mm (at Center) 100 LINE / mm (at Corner)

[TV DISTORTION]

-0.2%

[DIMENSIONS] Unit:mm



[MTF]

