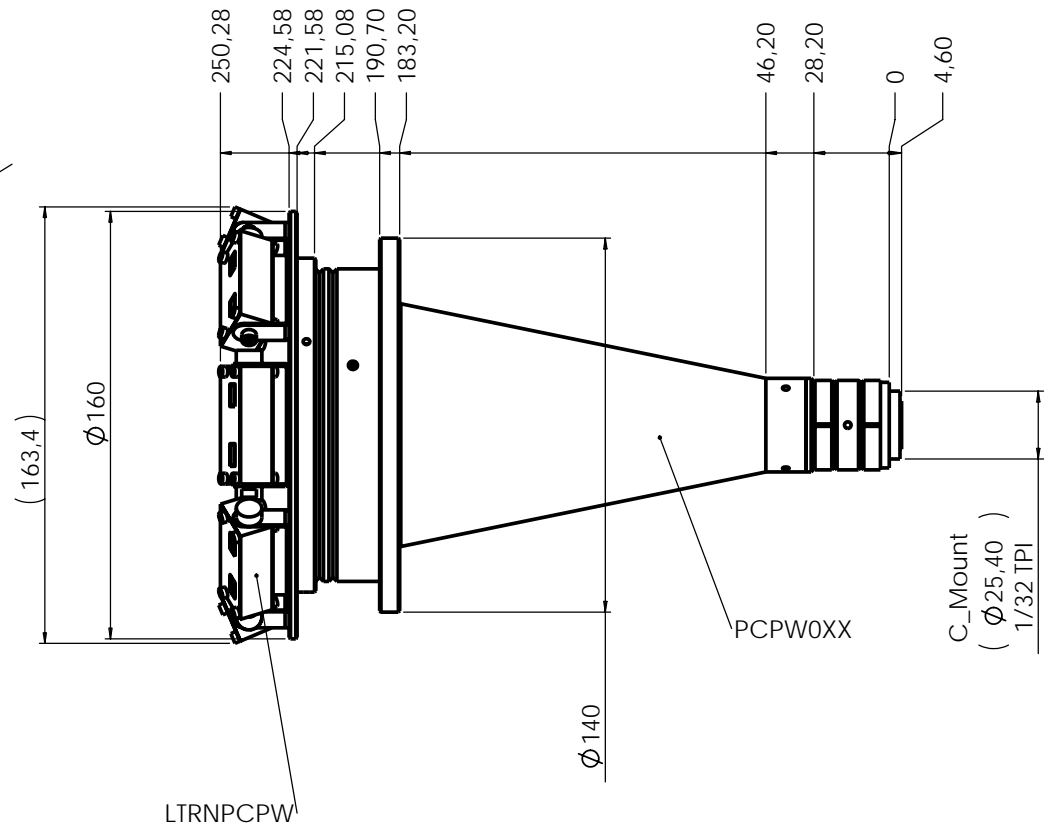
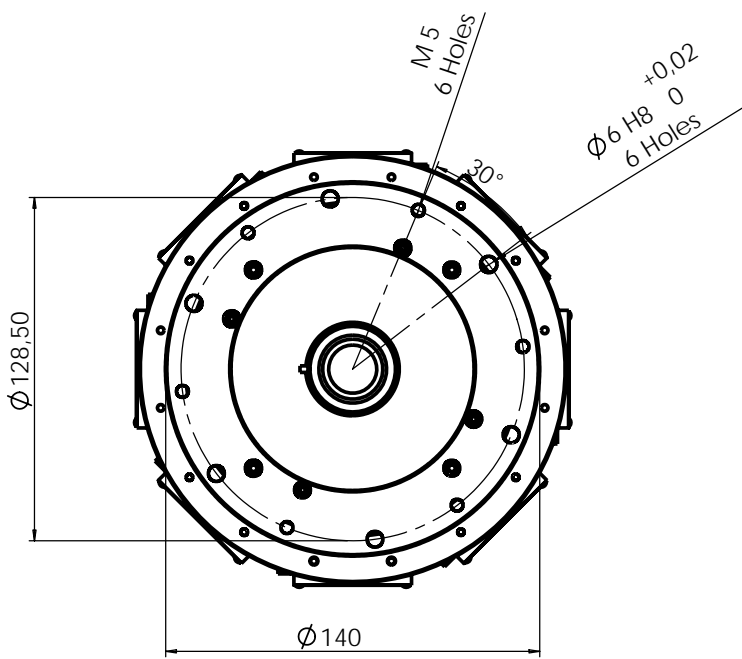


1 2 3 4 5 6 7 8

Rev No.	Description	Date	Name
A	Layout	11/09/09	



Material	N. A.		Mass	Scale	1:2															
Surface treatment	N. A.		Project-Prod.Item/Instrument																	
Geometrical tolerance (ISO 2768-2)		<table border="1"> <tr> <th>Class</th> <th>K</th> <th>Undimensioned bevels</th> <th>1x45°</th> </tr> <tr> <td>0.5</td> <td>>30+</td> <td>>6+</td> <td>>30+</td> </tr> <tr> <td>+3</td> <td>6</td> <td>30</td> <td>120</td> </tr> <tr> <td>+0.1</td> <td>±0.1</td> <td>±0.2</td> <td>±0.3</td> </tr> </table>	Class	K	Undimensioned bevels	1x45°	0.5	>30+	>6+	>30+	+3	6	30	120	+0.1	±0.1	±0.2	±0.3	Description	
Class	K		Undimensioned bevels	1x45°																
0.5	>30+	>6+	>30+																	
+3	6	30	120																	
+0.1	±0.1	±0.2	±0.3																	
Linear tolerance (ISO 2768-2)		<table border="1"> <tr> <th>Class</th> <th>m</th> <th>Undimensioned radii</th> <th>R 0.5</th> </tr> <tr> <td>>1000</td> <td>>2000</td> <td>>4000</td> <td></td> </tr> <tr> <td>±0.1</td> <td>±0.1</td> <td>±0.2</td> <td>±0.3</td> </tr> </table>	Class	m	Undimensioned radii	R 0.5	>1000	>2000	>4000		±0.1	±0.1	±0.2	±0.3	PCPW0XX-LTRNPCPW layout					
Class	m		Undimensioned radii	R 0.5																
>1000	>2000	>4000																		
±0.1	±0.1	±0.2	±0.3																	
		Date	Name	Drawing No.	Sheet															
Designed		11/09/09		PCPW0XX - LTRNPCPW	1/1															
Draw		11/09/09		Reproduction forbidden without specific authorization																
Checked		X		OPTO ENGINEERING S.r.l. - 46100 Mantova Italy - Via Cremona, 29/2 - Tel. +39 0376 263565 - e-mai: info@opto-engineering.com - http://www.opto-engineering.com																

1 2 3 4 5 6 7 8

0 1 2 3 4 5 6 7 8 9 10