

**PCBP013**

# Boroscopic Probe for 1/3" detectors

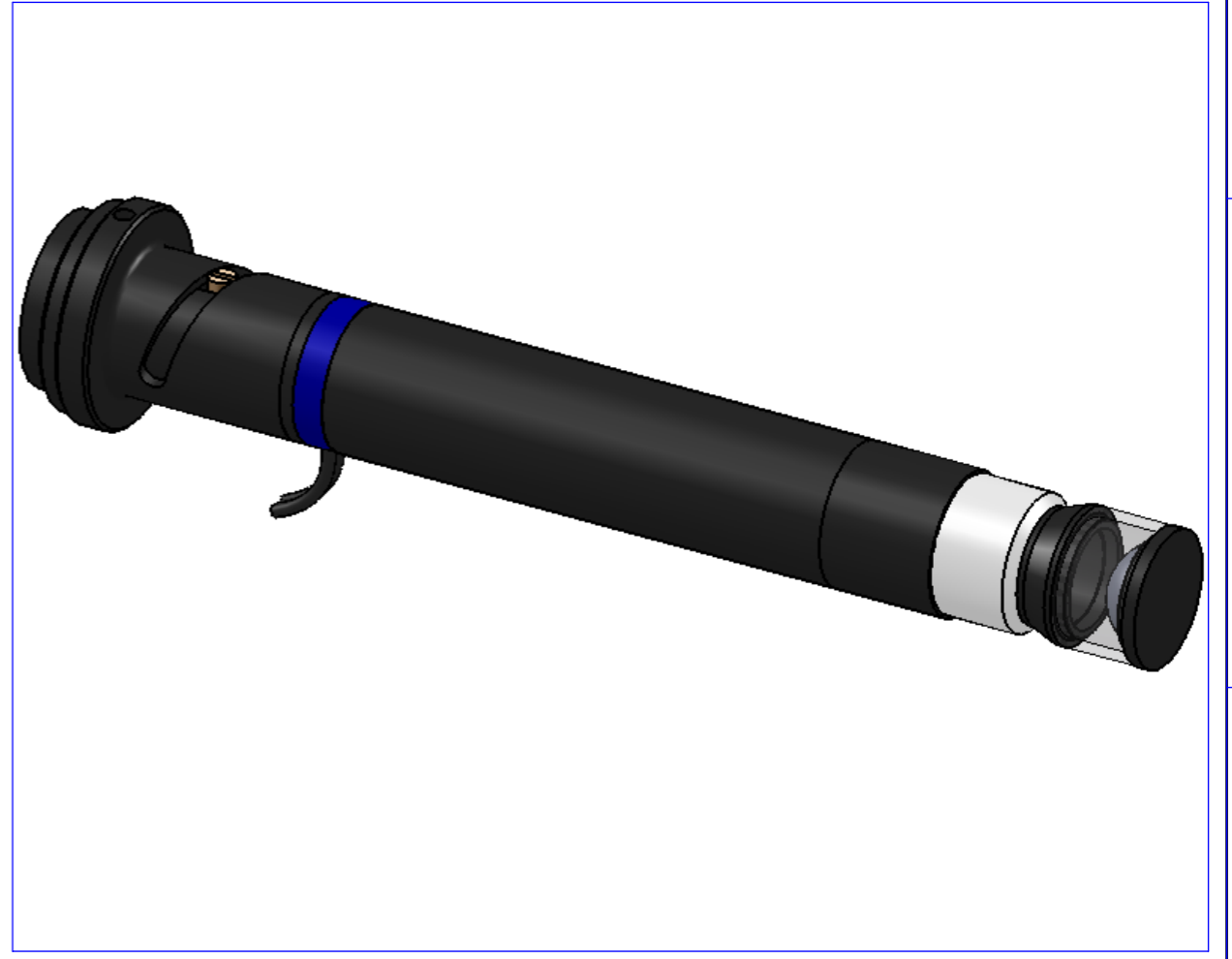
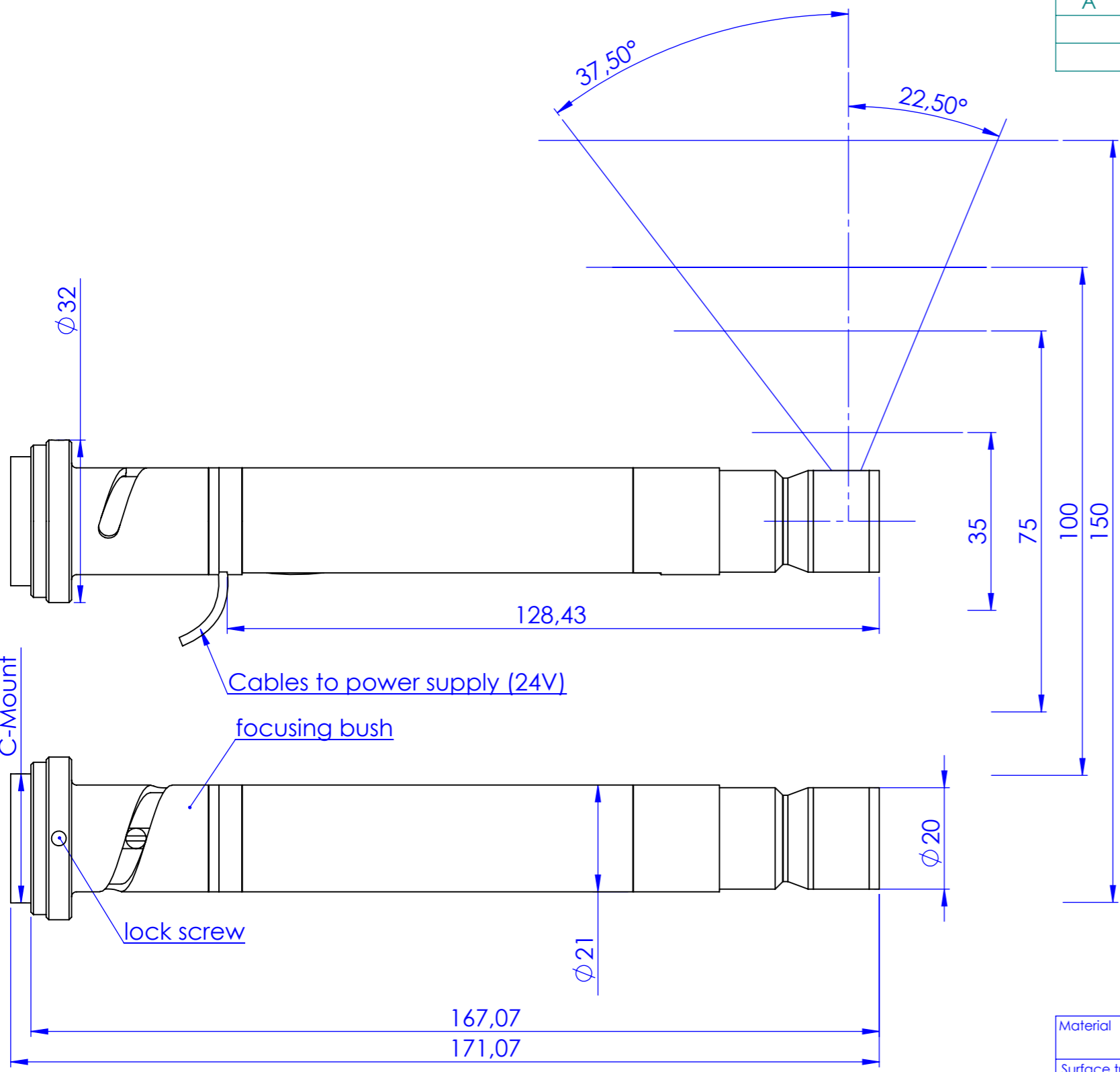


part number		PCBP013
<b>Detector Size</b>		1/3"
<b>min. FOV (diam x height)</b>	(mm x mm)	25 x 9
<b>max. FOV (diam x height)</b>	(mm x mm)	100 x 53
<b>Wavelength range</b>	(nm)	450 .. 650
<b>Viewing Angle</b>	(deg)	60
<b>CTF @ 50 lp/mm</b>	(%)	> 25
<b>F-number</b>		14
<b>Diameter</b>	(mm)	21,0
<b>Length</b>	(mm)	167,0
<b>Wight</b>	(g)	113
<b>Mount</b>		C
<b>LED Voltage</b>	(volt)	16 .. 24
<b>LED Power</b>	(watt)	< 2,0

Rev No.	Description	Date	Name
A	New Assembly	27/08/10	N. Santini

D  
C  
B  
A

D  
C  
B  
A



Material	N.A.		Mass	112 g	Scale	1:1	
Surface treatment	N.A.		Project-Prod.item/Instrument		PCPB013		
Geometrical tolerance (ISO 2768-2)			Class	K	Undimensioned bevels	0.5x45°	
Linear tolerance (ISO 2768-2)							Class
0.5	>3±	>6±	>30±	>120	>400±	>1000	
±3	6	30	120	±400	1000	±2000	±4000
±0.1	±0.1	±0.2	±0.3	±0.5	±0.8	±1.2	±2
			Date	Name	Drawing No.		
			Designed	27/04/10	N. Santini	19402-0-A	
			Draw	27/04/10	N. Santini		
			Checked	X	C.Sedazzari		
Sheet 1/1 Reproduction forbidden without specific authorization							