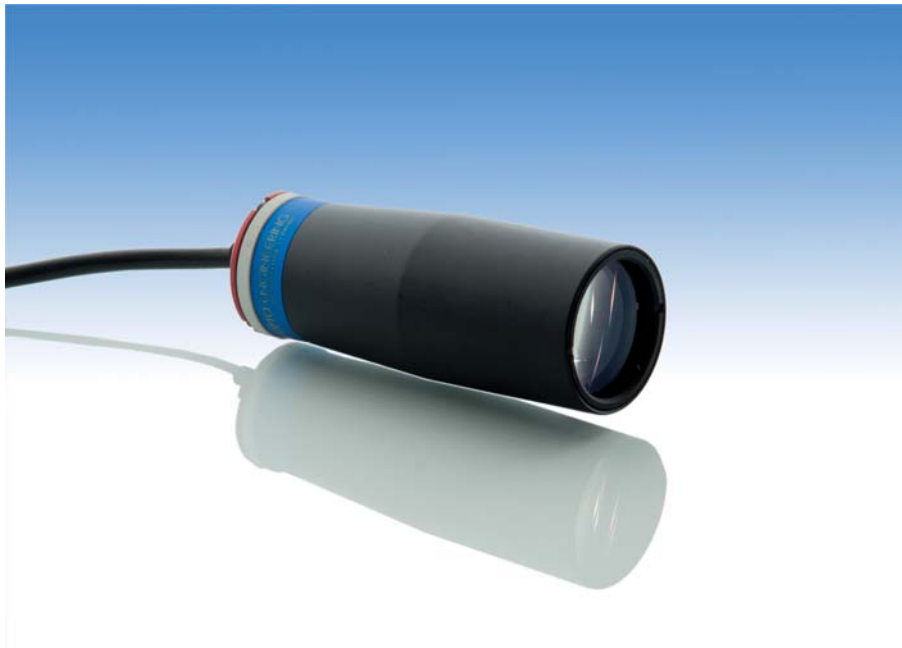


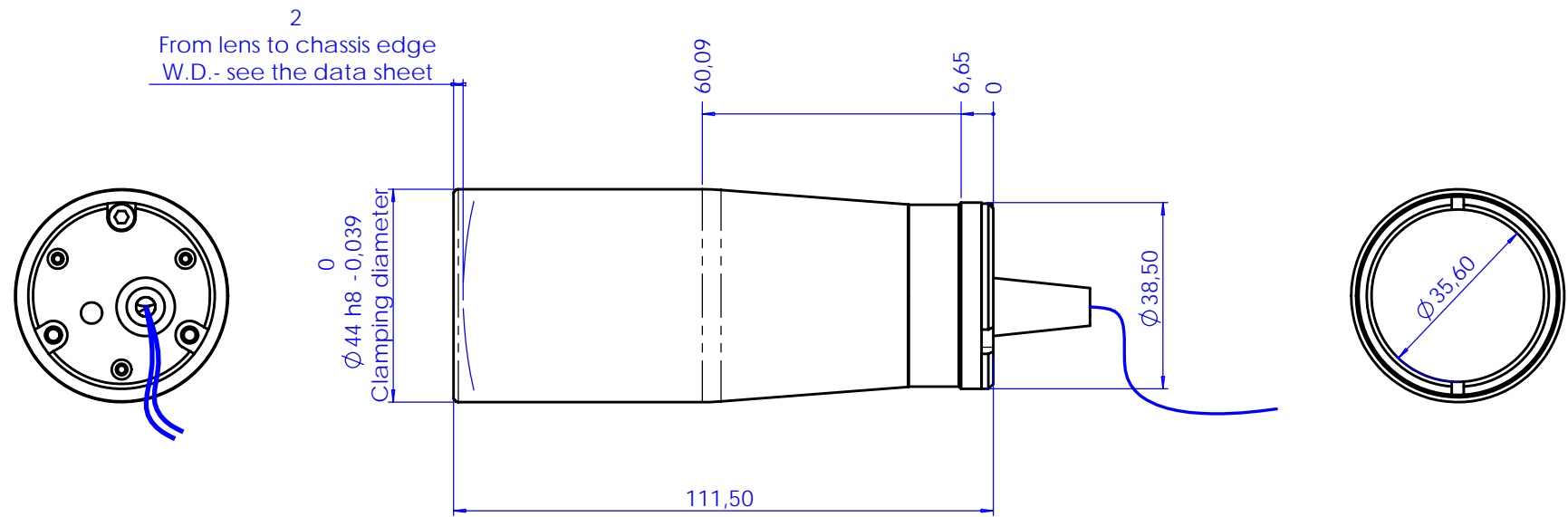
LT CL 24

Collimated Illuminator



part number		LT CL 24
Beam Diameter	(mm)	30,0
Available Colours		
/R (red)		x
/G (green)		x
/B (blue)		x
/W (white)		x
/IR890 (IR, peak 890 nm)		x
/IR940 (IR, peak 940 nm)		x
Length	(mm)	100,0
Outer Diameter	(mm)	44,0
Compatible Telecentric Lenses		
	TC 13	n.a.
	TC 12	24
	TC 23	24
	TC 4M	24
	TC 2M	24
	TC16M	n.a.
DEVICE POWER RATINGS		
DC Voltage	(volt)	12 to 24
Power Consumption	(watt)	< 2 watt
LED DIRECT DRIVE RATINGS		
for /W, /B and /G versions		
Max Forward DC Voltage	(volt)	3,5
Max Forward Current	(mA)	350
for /R version		
Max Forward DC Voltage	(volt)	2,5
Max Forward Current	(mA)	350
for /IR890 and /IR940 versions		
Max Forward DC Voltage	(volt)	1,6
Max Forward Current	(mA)	500 mA

Rev No.	Description	Date	Name
D	First light	07/06/06	A.Vismara
E	New LED holder	10/05/08	A.Vismara



Material	N.A.			Mass	0.30 kg	Scale	1:1
Surface treatment	N.A.			Project-Prod.Item/Instrument		LT CL 24	
Geometrical tolerance (ISO 2768-2)			Class	K	Undimensioned bevels		
Linear tolerance (ISO 2768-2)			Class	m	1x45°		
0.5	>3-	>6-	>30-	>120	>400-	>1000	>2000
±0.1	±0.1	±0.2	±0.3	±0.5	±0.8	±1.2	±2
					Undimensioned radii		
					R 0.5		
					Description		
					Assembly		
					Drawing No.		Sheet
					01277-0-E		1/1
					Reproduction forbidden without specific authorization		

