

Collimate LED Light IBF series



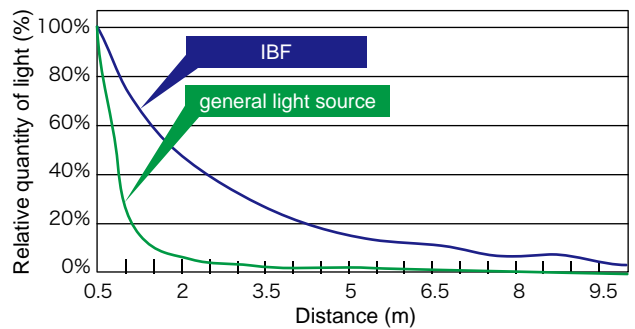
LED parallel ray light source

It can irradiate light to tens of meters away.

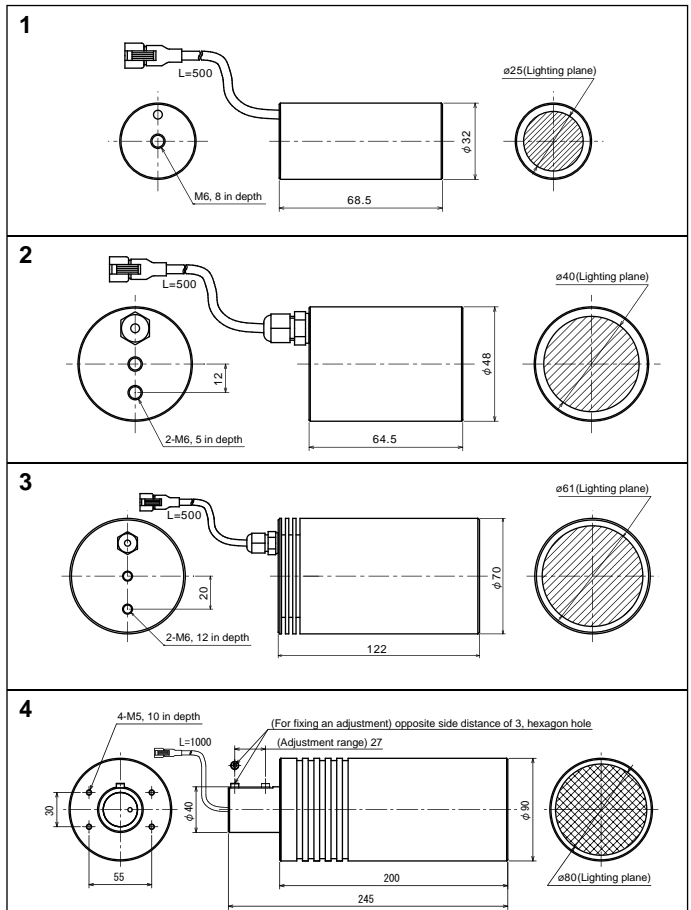
Model	Irradiating color	Power Consumption	Outline drawing
IBF-LX30□	R/W/B/G	IDC-700SV IDC-1400DV	1
IBF-LX40□			2
IBF-LX60□			3
IBF-LX30□	UV(400)	IDC-700DV	1
IBF-LX40□			2
IBF-LX60□			3
IBF-LX80□	R/W/B/G/UV(400) /IR(850,940)	IDC-700SV IDC-1400DV	4

- ★For the applicable power supply, refer to the constant current light control power supply (p.54).
- ★It can be connected to the power supply units except IDC (IDP, IDGA, etc.) using a resistance box (optional p.45).
- ★ represents R = red, W = white, B = blue, or G = green.
- ★The LED used in this lighting has individual difference in the peak wavelength; therefore, even the same type products may vary slightly in color.

Comparison of light quantity by distance, between IBF vs. general light source



With a general light source, the light is reduced in inverse proportion to the square of distance. When the distance is doubled, for example, the light quantity is reduced so less as 1/4, that it is not enough to irradiate at a long distance. However, the IBF light can be irradiated at a long distance without light reduction by distance as shown in the above graph.



Effect

Letters printed on a chip resistance can be recognized clearly by reducing the surface reflection through the taping.

