

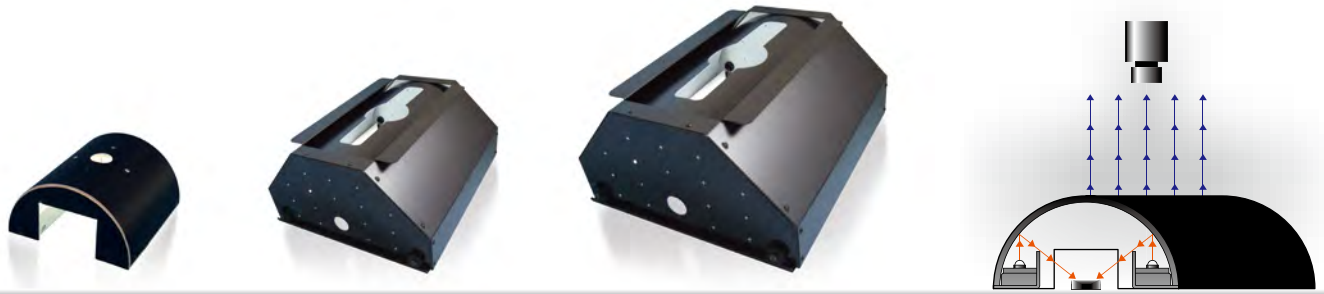
Indirect light type

Half-pipe Light IQD•IQDH series

NEW

Power LED*

※Mounted to IQDH



Uniform irradiation on a spherical surface, irregular surface, and long work.

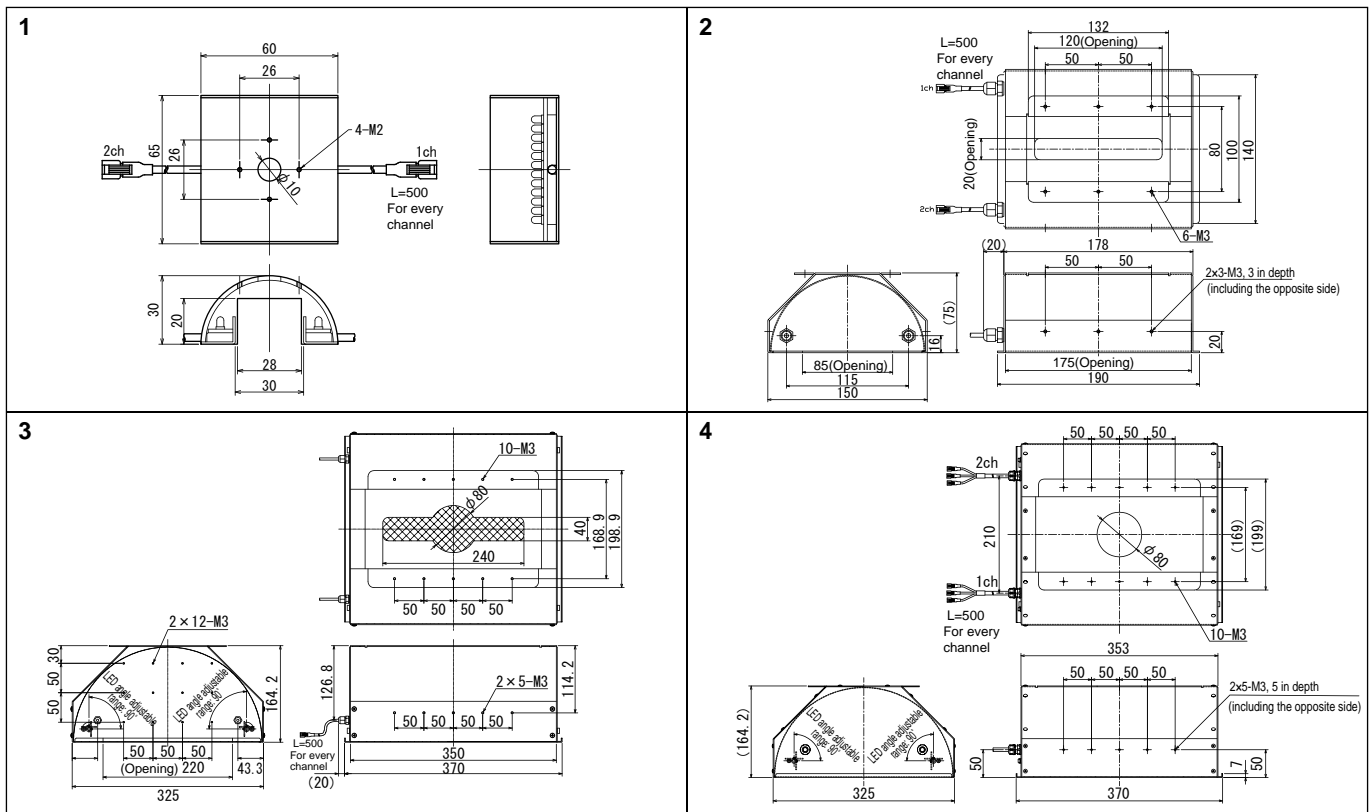
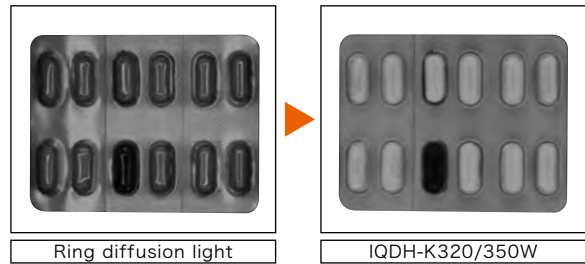
RGB full-color specification is also released.

Model(12V)	Power consumption (W)	Outline drawing	Model(24V)
IQD-K60/65DW	1ch 1.0W 2ch 1.0W total: 2.0W	1	IQD-K6065DWHV
IQDH-K150/170W	1ch 10.8W 2ch 10.8W total: 21.6W	2	IQDH-K150170WHV
IQDH-K320/350W	1ch 26W 2ch 26W total: 52W	3	IQDH-K320350WHV
IQDH-K320/350RGB	1ch R:13W,G:13W,B:13W 2ch R:13W,G:13W,B:13W total: 78W	4	IQDH-K320350RGBHV

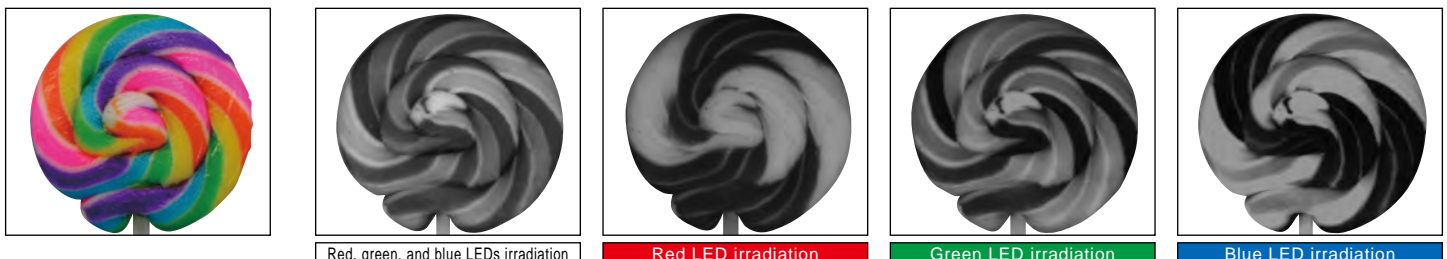
★Input voltage is DC 12V.

★Sizes other than the above are also available.

Uniform irradiation from a close distance reduces the surface reflection on a package.



Effect Example of the image photographed using RGB blended light Light: IQDH-K320/350RGB



Red, green, and blue LEDs irradiation Red LED irradiation Green LED irradiation Blue LED irradiation

Contents
Index
Direct light type
Transmitted Light Type
Indirect light type
Coaxial Light Type
Special Light
Power Supply
Optional Parts
Support