



Any lighting color can be blended according to the inspection purpose.

High luminance chip LED specification is also released.

φ3 LED specification

Model	Irradiating color			Power Consumption (W)	Outline drawing
	R	G	B		
IDR-120RGB	120	108	114	22.7	1
IDR-LA140/108RGB-3	42	45	48	9.2	2
IDD-70R/50RGB	228	192	159	37.4	3
IFV-C50RGB	30	30	30	6	4
IDBA-C70/75RGBS	56	56	56	11.6	5

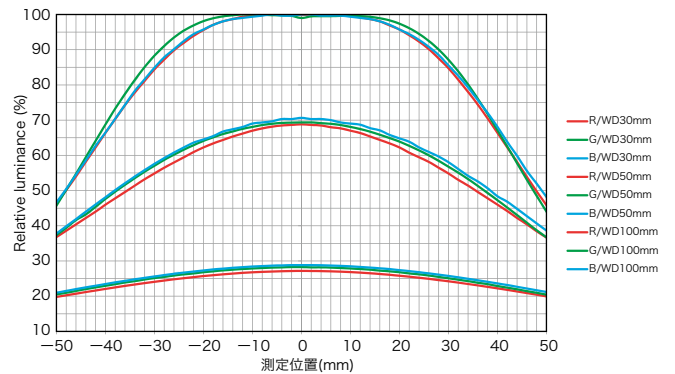
★Input voltage is DC 12V.

High luminance chip LED specification

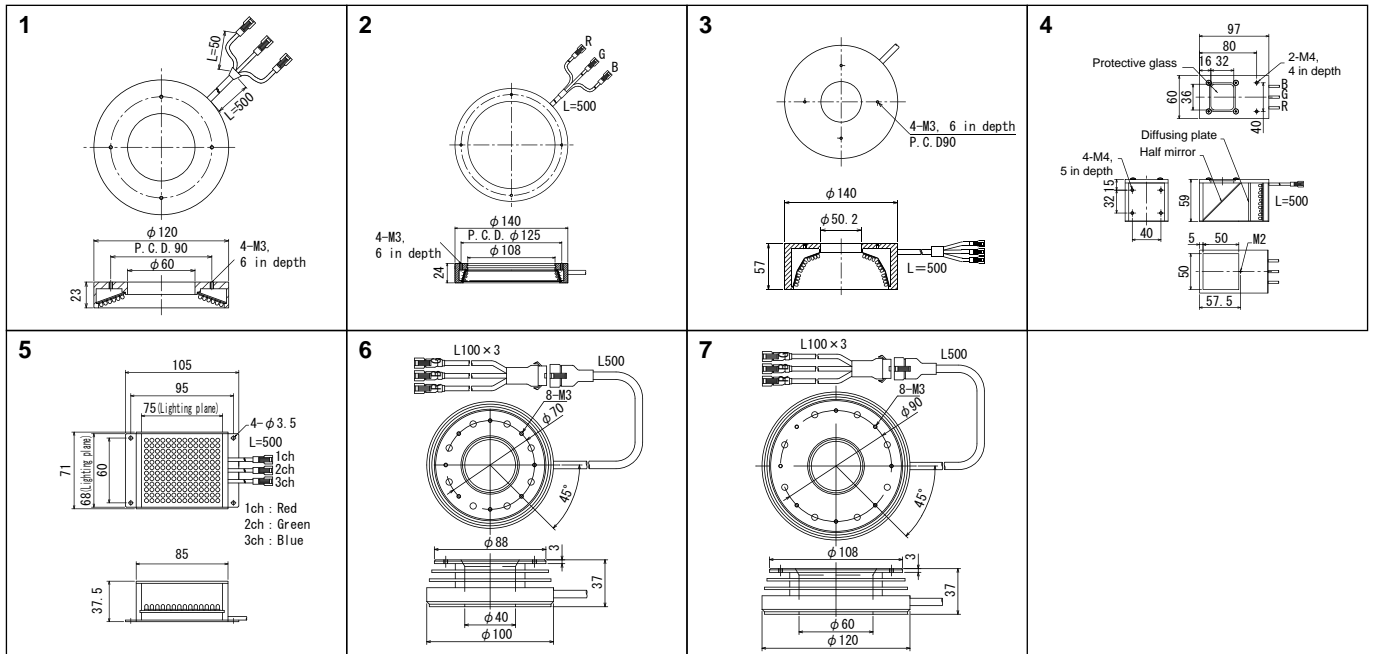
Model	Power Consumption (W)			Outline drawing
	R	G	B	
IHRGB-100	6	6.5	6.5	6
IHRGB-120	8	9	9	7

★Input voltage is DC 12V.

Luminance distribution



Measured model: IHRGB-100



Effect

Example of the image photographed using RGB blended light Light: IHRGB-120



Red, green, and blue LEDs irradiation



Red LED irradiation



Green LED irradiation



Blue LED irradiation