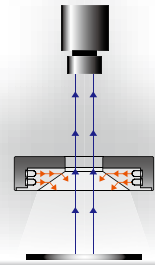
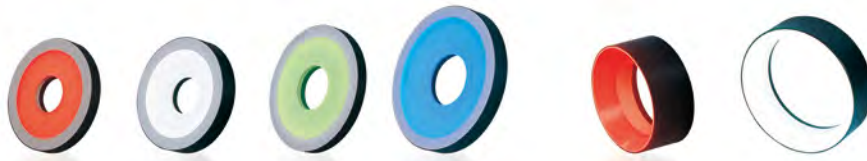


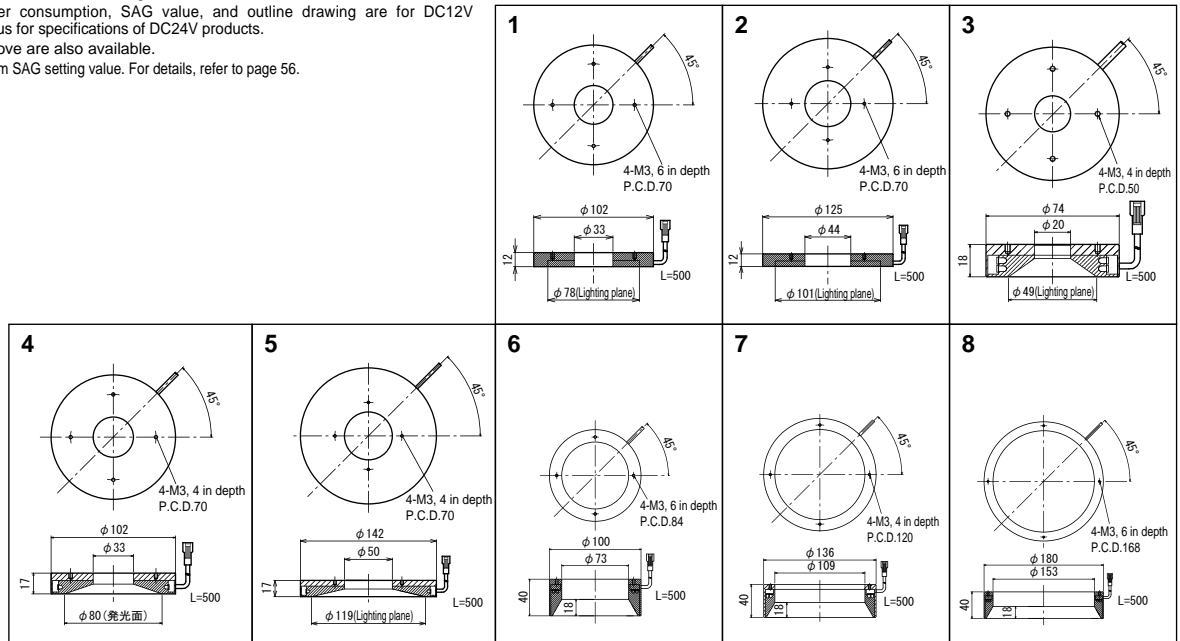
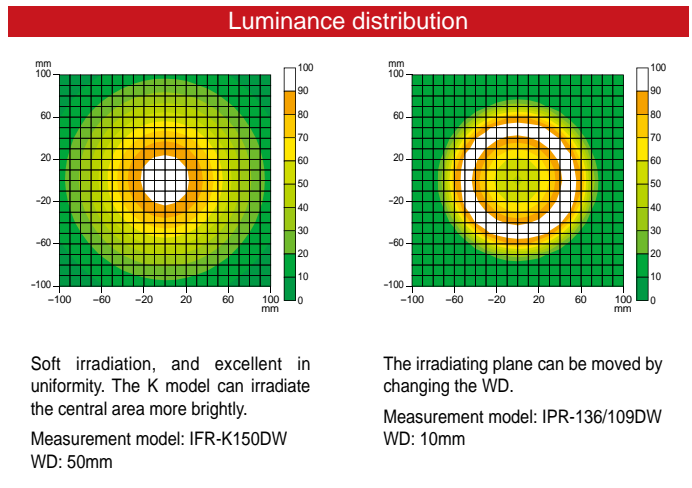
# Shadow-less Ring Light IFR • IPR series



Uniform irradiation on works with gloss or irregular surface profiles

Model(12V)	Irradiating color	Number of LEDs	Power Consumption (W)	SAG (°)	Outline drawing	Model(12V)
IFR-100R	R	72	2.9	6F	1	—
IFR-100□	DW/B/G	72	5.8	FF		—
IFR-130R	R	90	3.6	70	2	—
IFR-130□	DW/B/G	90	7.2	FF		—
IFR-K74/20R	R	96	3.9	70	3	—
IFR-K74/20□	DW/B/G	96	7.7	FF		—
IFR-K100R	R	72	2.9	6F	4	—
IFR-K100□	DW/B/G	72	5.8	FF		—
IFR-K150R	R	102	4.1	70	5	—
IFR-K150□	DW/B/G	102	8.2	FF		—
IPR-100/73R	R	132	5.3	71	6	IPR-100/73RHV
IPR-100/73□	DW/B/G	132	10.6	FF		IPR-100/73□HV
IPR-136/109R	R	180	7.2	72	7	IPR-136/109RHV
IPR-136/109□	DW/B/G	180	14.4	FF		IPR-136/109□HV
IPR-180/153R	R	258	10.4	75	8	IPR-180/153RHV
IPR-180/153□	DW/B/G	258	20.8	FF		IPR-180/153□HV

★□ represents DW = white, B = blue, or G = green.  
 ★Number of LEDs, power consumption, SAG value, and outline drawing are for DC12V products. Please contact us for specifications of DC24V products.  
 ★Sizes other than the above are also available.  
 \* SAG represents the maximum SAG setting value. For details, refer to page 56.



**Effect** → Irradiating indirect light prevents halation.

