

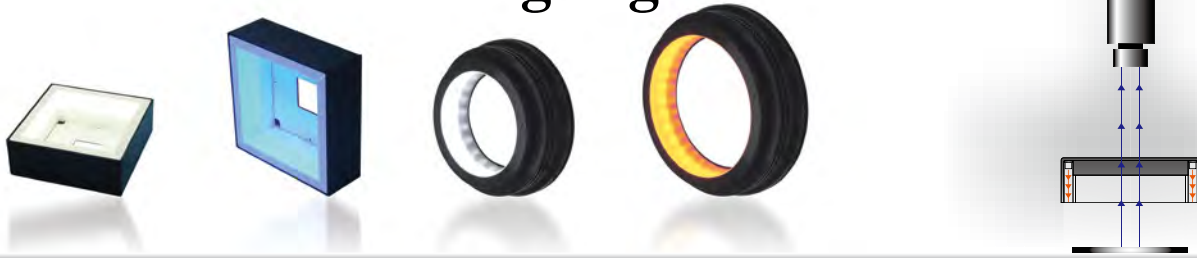
Indirect light type

Power LED

DC 24V products available

Square Plane Light IPQB series

NEO Shadow-less Ring Light IHLR series



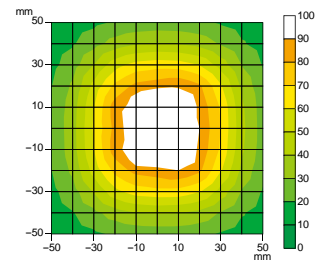
Indirect light with super-high luminance and uniform oblique light

Model(12V)	Irradiating color	Number of LEDs	Power Consumption (W)	SAG (°)	Outline drawing	Model(24V)
IPQB-35□	R/W/B/G	12	2.9	FF	1	—
IPQB-51□	R/W/B/G	24	5.8	FF	2	—
IPQB-78□	R/W/B/G	36	8.7	FF	3	—
IPQB-99□	R/W/B/G	48	11.6	FF	4	—
IHLR-60□	R	12	6	FF	5	IHLR-60□HV
	W			C3		
	B			AD		
	G			A1		
IHLR-80□	R	18	7.5	FF	6	IHLR-80□HV
	W			C4		
	B			AE		
	G			9D		
IHLR-120□	R	24	10	FF	7	IHLR-120□HV
	W			C5		
	B			AF		
	G			9E		
IHLR-150□	R	36	15	FF	8	IHLR-150□HV
	W			C8		
	B			B1		
	G			A0		
IHLR-220□	R	60	24	FF	9	IHLR-220□HV
	W			CE		
	B			B5		
	G			A5		

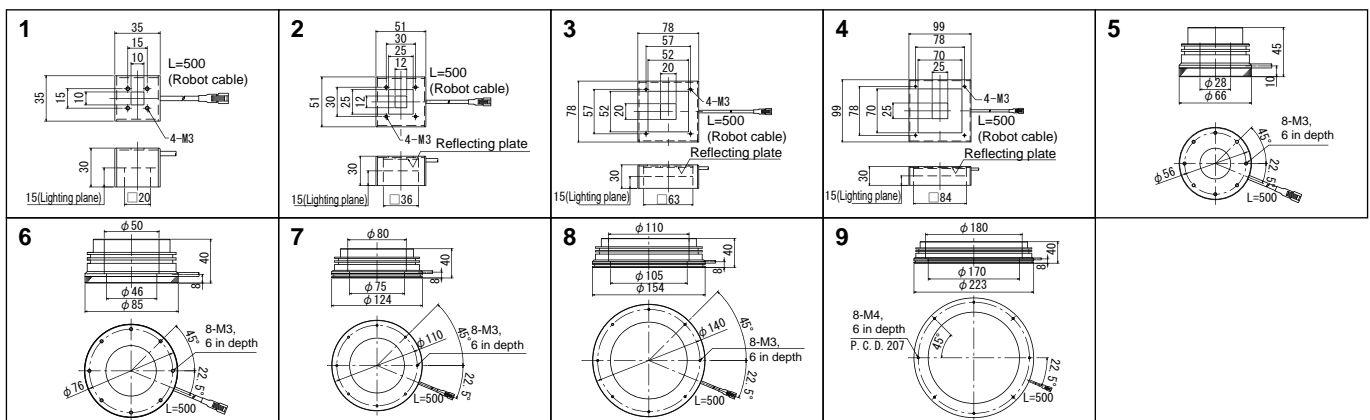
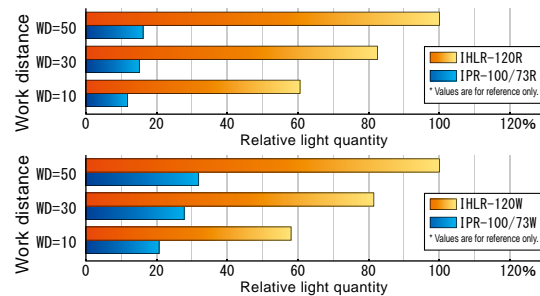
★□ represents R = red, W = white, B = blue, or G = green. ★ Number of LEDs, power consumption, SAG value, and outline drawing are for DC12V products. Please contact us for specifications of DC24V products.
* SAG represents the maximum SAG setting value. For details, refer to page 56.

Luminance distribution

It can irradiate overall by mounting the top plate.
Measurement model: IPQB-78W
WD: 10mm



Comparison with conventional products



IPQB is equipped with a top plate because of its uniformity-conscious design concept. The top plate is removable.

Effect

An image without surface reflection can be photographed by irradiating uniform oblique light.

Effect

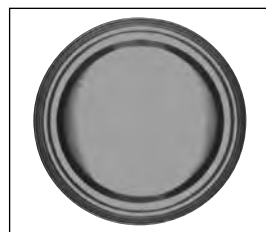
An image without surface reflection on the bottom of a can is photographed by irradiating uniform oblique light.



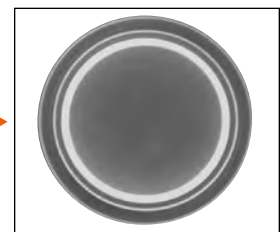
Ring light



IPQB-78W



Ring light



IHLR-150R