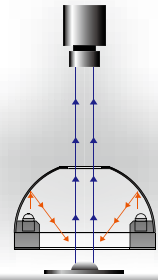


NEO Dome Light IDD-KH series



Super-high luminance dome light

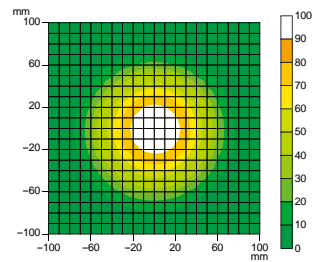
Large sized products are standardized.

Model(12V)	Irradiating color	Number of LEDs	Power Consumption (W)	SAG ()	Outline drawing	Model(24V)
IDD-KH80□	R	18	7.2	FF	1	IDD-KH80□HV
	W			C4		
	B			AE		
	G			9D		
IDD-KH120□	R	24	9.6	FF	2	IDD-KH120□HV
	W			C5		
	B			AF		
	G			9E		
IDD-KH150□	R	36	14.4	FF	3	IDD-KH150□HV
	W			C8		
	B			B1		
	G			A0		
IDD-KH220□	R	60	24	FF	4	IDD-KH220□HV
	W			CE		
	B			B5		
	G			A5		
IDD-KH270□	R	72	28.8	DE	5	IDD-KH270□HV
	W			B9		
	B			B8		
	G			A7		
IDD-KH350□	R	90	36	BD	6	IDD-KH350□HV
	W			A4		
	B			AA		
	G			9D		

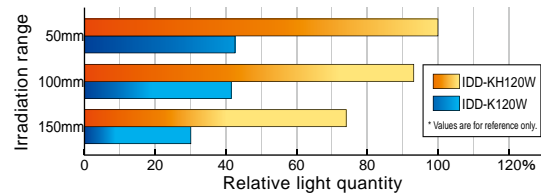
Luminance distribution

It can irradiate uniformly overall at a close distance.

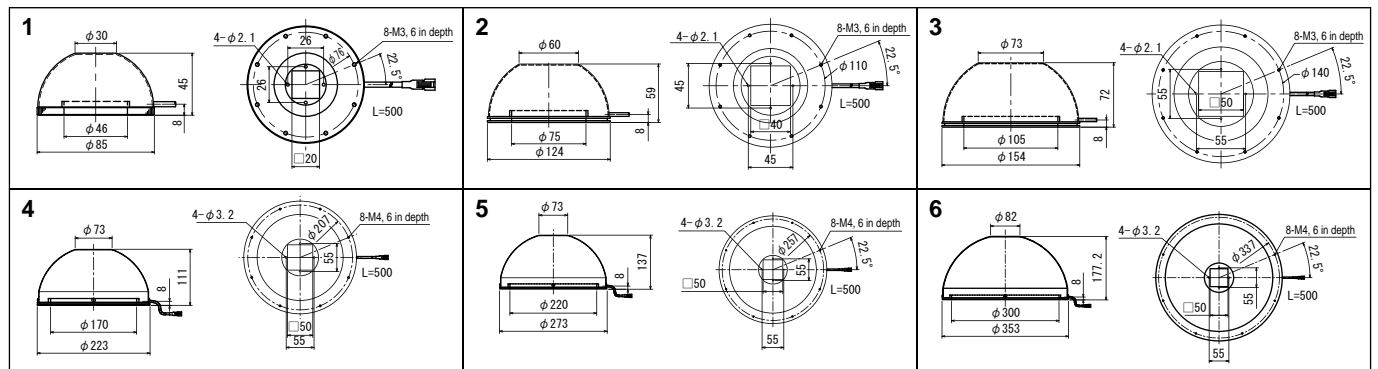
Measurement model: IDD-KH150W
WD: 10 mm



Comparison with conventional products



□ represents R = red, W = white, B = blue, or G = green.
 ★ Number of LEDs, power consumption, SAG value, and outline drawing are for DC12V products. Please contact us for specifications of DC24V products.
 * SAG represents the maximum SAG setting value. For details, refer to page 56.



Effect

Misalignment of an aluminum lid can be clearly recognized by changing the wavelength band.

Effect

The bottom surface of a three-dimensional paper cup can be irradiated brightly and uniformly.

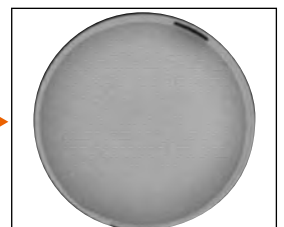


IDD-KH270W

IDD-KH270B



リング照明



IDD-KH150W