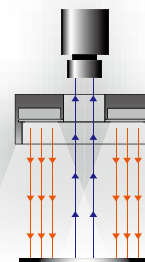
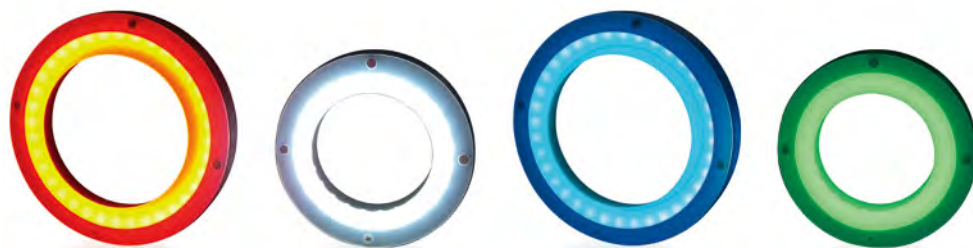


NEO Ring Light IHR series



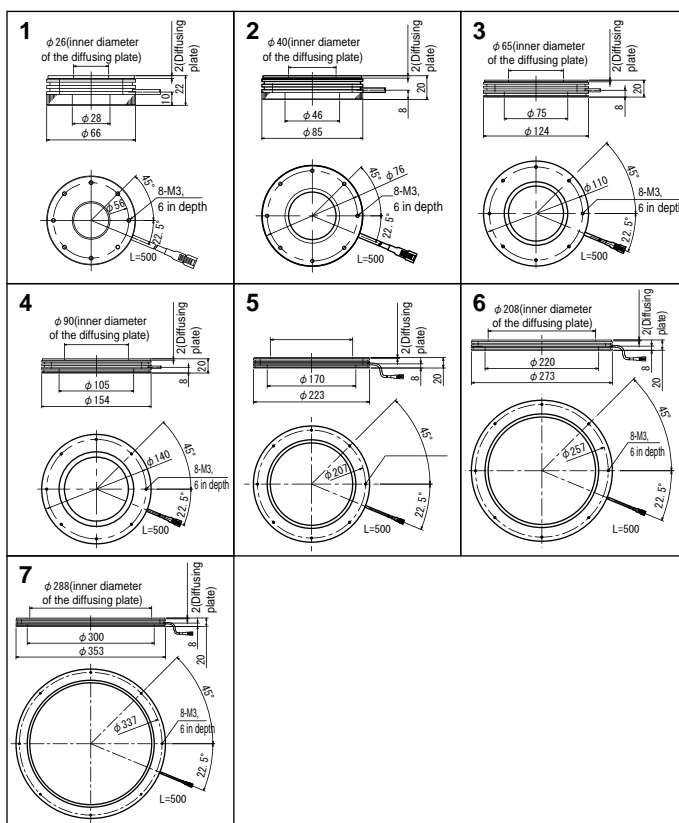
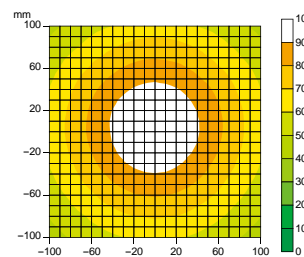
Small to large sized high luminance ring

Model (12V)	Irradiating color	Number of LEDs	Power consumption (W)	SAG (°)	Outline drawing	Model (24V)
IHR-60□S	R	12	6	FF	1	IHR-60□HVS
	W					
	B					
	G					
IHR-80□S	R	18	7.2	FF	2	IHR-80□HVS
	W					
	B					
	G					
IHR-120□S	R	24	9.6	FF	3	IHR-120□HVS
	W					
	B					
	G					
IHR-150□S	R	36	14.4	FF	4	IHR-150□HVS
	W					
	B					
	G					
IHR-220□S	R	60	24	FF	5	IHR-220□HVS
	W					
	B					
	G					
IHR-270□S	R	72	28.8	DE	6	IHR-270□HVS
	W					
	B					
	G					
IHR-350□	R	90	36	BD	7	IHR-350□HV
	W					
	B					
	G					

Luminance distribution

A high irradiation range can be widely ensured even when the WD is long.

Measurement model: IHR-120WS
WD: 200 mm



★ □ represents R = red, W = white, B = blue, or G = green.
 ★ The diffusing plate is removable, and the optional polarizing plate can be mounted.
 ★ Number of LEDs, power consumption, SAG value, and outline drawing are for DC12V products. Please contact us for specifications of DC24V products.
 * SAG represents the maximum SAG setting value. For details, refer to page 56.

Effect Example of the image photographed a large sized work by irradiating 600 mm away, which proves uniform lighting on a wide area

