

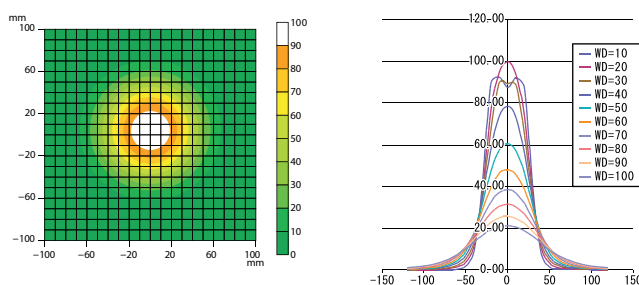
Direct Ring Light IDR series



Applicable to a wide range of use

Model (12V)	Irradiating color	Number of LEDs	Power consumption (W)	WD (mm)	SAG (°)	Outline drawing	Model (24V)
IDR-32/10R	R	30	1.2	20~35	6E	1	IDR-32/10RHV
IDR-32/10□	DW/ B/G	30	2.4	20~35	FF		IDR-32/1 □□H V
IDR-38/15R	R	36	1.5	20~35	6E	2	IDR-38/15RHV
IDR-38/15□	DW/ B/G	36	2.9	20~35	FF		IDR-38/1 □□H V
IDR-40/25R	R	24	1	25~45	6E	3	IDR-40/25RHV
IDR-40/25□	DW/ B/G	24	2	25~45	FF		IDR-40/2 □□H V
IDR-50/28R	R	54	2.2	15~30	6F	4	IDR-50/28RHV
IDR-50/28□	DW/ B/G	45	3.6	15~30	FF		IDR-50/2 □□H V
IDR-66/36R	R	114	4.6	40~70	70	5	IDR-66/36RHV
IDR-66/36□	DW/ B/G	90	7.2	40~70	FF		IDR-66/3 □□H V
IDR-70/39R	R	120	4.8	20~60	71	6	IDR-70/39RHV
IDR-70/3 □□	DW/ B/G	96	7.7	20~60	FF		IDR-70/3 □□H V
IDR-90/50R	R	216	8.7	40~90	73	7	IDR-90/50RHV
IDR-90/50□	DW/ B/G	108	8.7	40~90	FF		IDR-90/5 □□H V
IDR-110/60R	R	252	10.1	35~90	75	8	IDR-110/60RHV
IDR-110/60□	DW/ B/G	159	12.8	35~90	FF		IDR-110/6 □□H V
IDR-140/95R	R	360	14.4	50~110	78	9	IDR-140/95RHV
IDR-140/95□	DW/ B/G	180	14.4	50~110	FF		IDR-140/9 □□H V

Luminance distribution



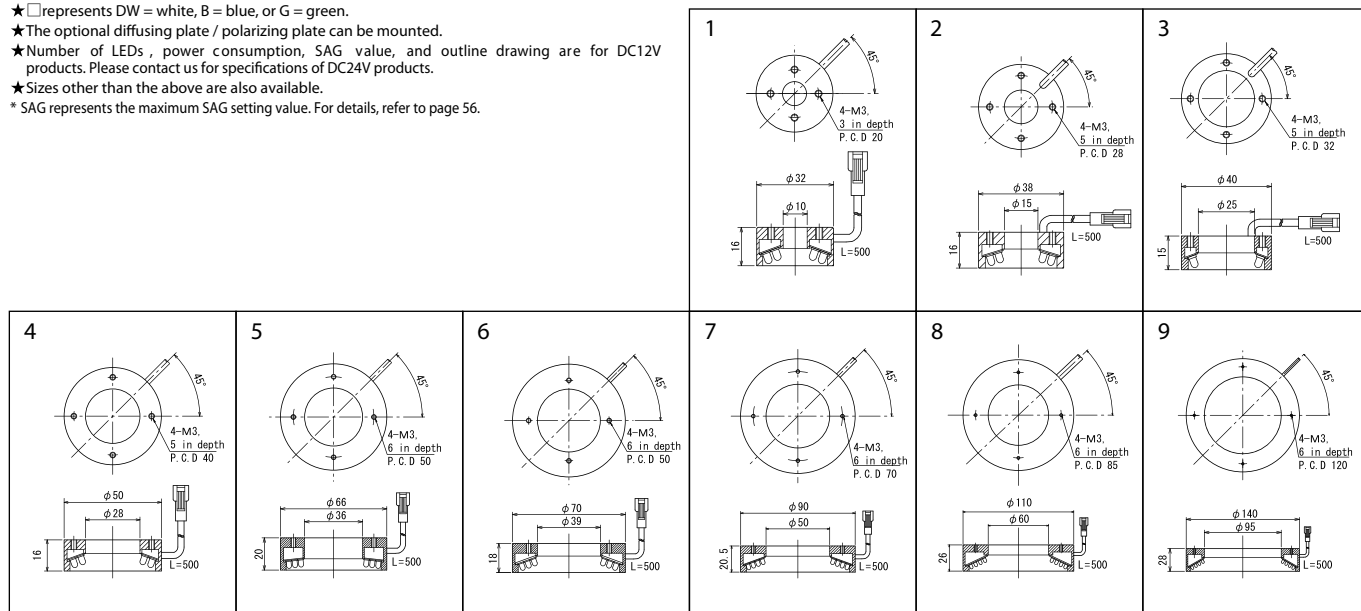
The lighting in the central area is intensified by inclining the LED.

Measurement model: IDR-110/60DW
WD: 50mm

When the WD is less than the appropriate level, it may cause to go out of focus.

Measurement model: IDR-70/39DW

- ★□ represents DW = white, B = blue, or G = green.
- ★The optional diffusing plate / polarizing plate can be mounted.
- ★Number of LEDs, power consumption, SAG value, and outline drawing are for DC12V products. Please contact us for specifications of DC24V products.
- ★Sizes other than the above are also available.
- ★SAG represents the maximum SAG setting value. For details, refer to page 56.



Effect Example of the image photographed by direct irradiation directly from above, which improved surface reflection on a work.

