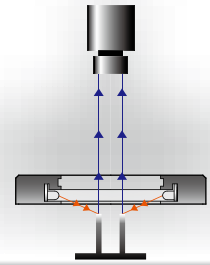


Horizontal Opposed Ring Light IDRA-T series



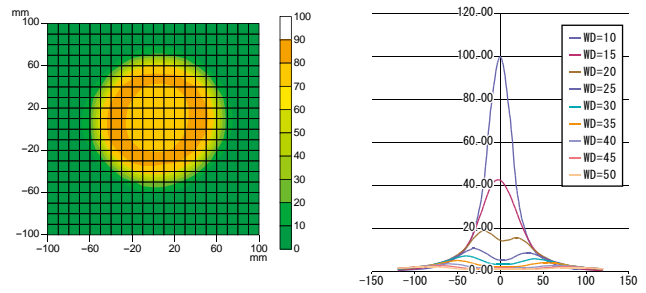
Highlighting irregular surface profile by irradiation from the horizontal direction

An oversized model of 450 mm in diameter is also released.

Model(12V)	Irradiating color	Number of LEDs	Power Consumption (W)	SAG (°)	Outline drawing	Model(24V)
IDRA-T78/46R-1	R	48	2	6E	1	IDRA-T78RHV-1
IDRA-T78/46□-1	DW/B/G	48	3.9	FF		IDRA-T78□HV-1
IDRA-T84/54R-1	R	48	2	6E	2	IDRA-T84RHV-1
IDRA-T84/54□-1	DW/B/G	48	3.9	FF		IDRA-T84□HV-1
IDRA-T96/60R-1	R	60	2.4	6F	3	IDRA-T96RHV-1
IDRA-T96/60□-1	DW/B/G	60	4.8	FF		IDRA-T96□HV-1
IDRA-T122/92R-1	R	77	3.2	6F	4	IDRA-T122RHV-1
IDRA-T122/92□-1	DW/B/G	77	6.3	FF		IDRA-T122□HV-1
IDRA-T152/114R-1	R	96	3.9	70	5	IDRA-T152RHV-1
IDRA-T152/114□-1	DW/B/G	96	7.7	FF		IDRA-T152□HV-1
IDRA-T176/140R-1	R	120	4.8	71	6	IDRA-T176RHV-1
IDRA-T176/140□-1	DW/B/G	120	9.6	FF		IDRA-T176□HV-1
IDRA-T206/170R-1	R	144	5.8	71	7	IDRA-T206RHV-1
IDRA-T206/170□-1	DW/B/G	144	11.6	FF		IDRA-T206□HV-1
IDRA-T450/400R-1	R	288	11.6	—	8	IDRA-T450RHV-1
IDRA-T450/400□-1	DW/B/G	288	23.1	—		IDRA-T450□HV-1

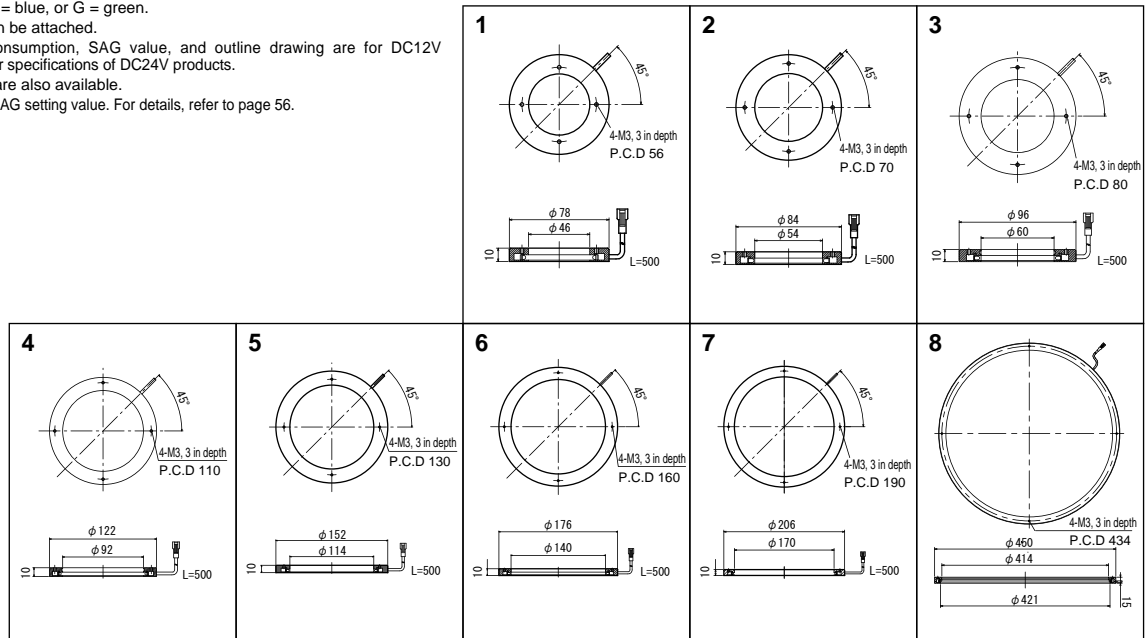
- ★ □ represents DW = white, B = blue, or G = green.
- ★ A diffusing ring (optional) can be attached.
- ★ Number of LEDs, power consumption, SAG value, and outline drawing are for DC12V products. Please contact us for specifications of DC24V products.
- ★ Sizes other than the above are also available.
- * SAG represents the maximum SAG setting value. For details, refer to page 56.

Luminance distribution



It can irradiate uniformly on a work surface at a close-up distance.
Measurement model: IDRA-T176/140DW-1
WD: 10mm

The irradiating area is substantially limited by the variable WD.
Measurement model: IDRA-T96/60DW-1



Effect Stamped characters and defects on the surface can be detected without any shadow of LED elements.

