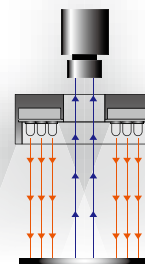


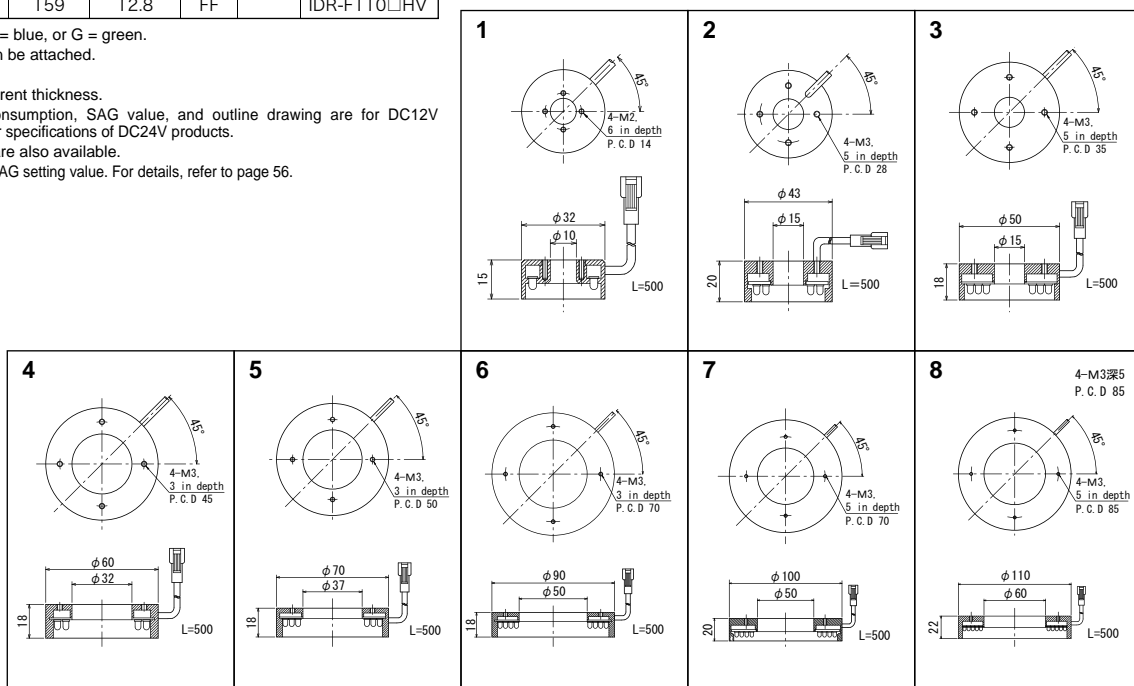
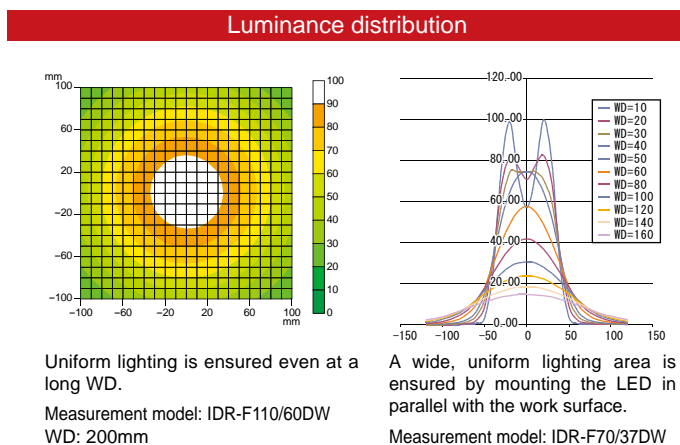
Flat Direct Ring Light IDR-F series



Wide and uniform lighting area

Model (12V)	Irradiating color	Number of LEDs	Power consumption (W)	SAG (°)	Outline drawing	Model (24V)
IDR-F32/10R	R	18	0.8	6D	1	—
IDR-F32/10□	DW/B/G	18	1.5	FF		—
IDR-F43/15R	R	36	1.5	6E	2	IDR-F43RHV
IDR-F43/15□	DW/B/G	36	2.9	FF		IDR-F43□HV
IDR-F50/15R	R	54	2.2	6F	3	IDR-F50RHV
IDR-F50/15□	DW/B/G	54	4.4	FF		IDR-F50□HV
IDR-F60/32R	R	60	2.4	6F	4	IDR-F60RHV
IDR-F60/32□	DW/B/G	60	4.8	FF		IDR-F60□HV
IDR-F70/37R	R	108	4.4	70	5	IDR-F70RHV
IDR-F70/37□	DW/B/G	93	7.5	FF		IDR-F70□HV
IDR-F90/50R	R	204	8.2	73	6	IDR-F90RHV
IDR-F90/50□	DW/B/G	102	8.2	FF		IDR-F90□HV
IDR-F100/50R	R	216	8.7	73	7	IDR-F100RHV
IDR-F100/50□	DW/B/G	108	8.7	FF		IDR-F100□HV
IDR-F110/60R	R	240	9.6	74	8	IDR-F110RHV
IDR-F110/60□	DW/B/G	159	12.8	FF		IDR-F110□HV

- ★ □ represents DW = white, B = blue, or G = green.
- ★ A diffusing ring (optional) can be attached.
 - LA40/15 is not applicable.
 - LA50/24-2-C01 has a different thickness.
- ★ Number of LEDs, power consumption, SAG value, and outline drawing are for DC12V products. Please contact us for specifications of DC24V products.
- ★ Sizes other than the above are also available.
- * SAG represents the maximum SAG setting value. For details, refer to page 56.



Effect A wide area can be photographed by flat irradiation from above.



IDR-90/50DW



IDR-F90/50DW



IDR-90/50R



IDR-F90/50R