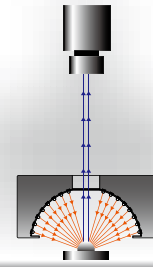
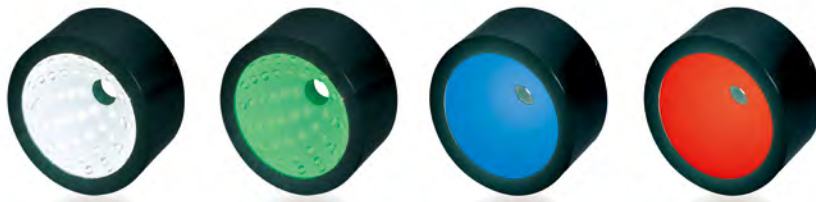


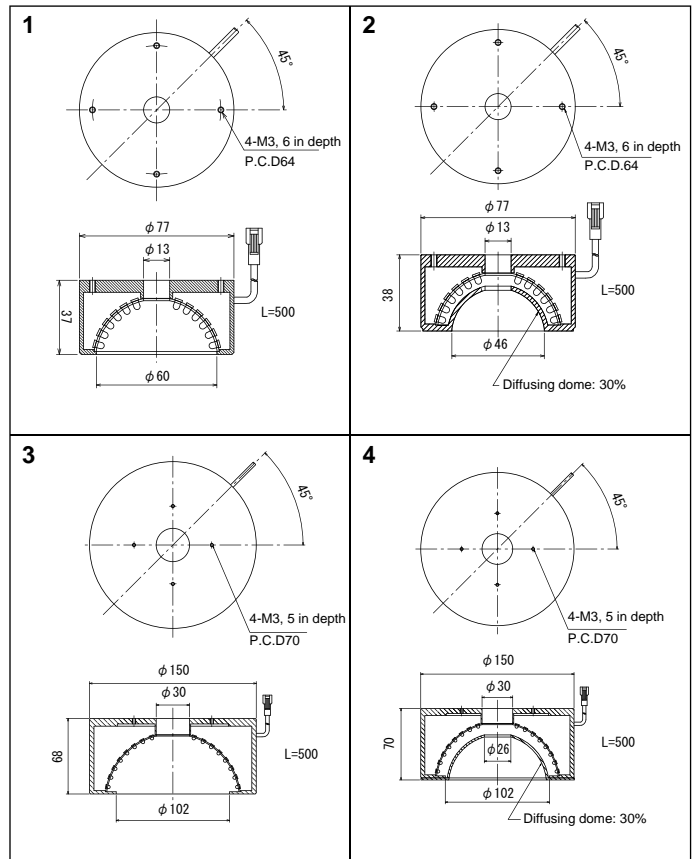
Direct Dome Light IDD series



Strong irradiation from all directions

Model(12V)	Irradiating color	Number of LEDs	Power Consumption (W)	SAG (°)	Outline drawing	Model(24V)
IDD-60/13R	R	66	2.7	6F	1	IDD-60RHV
IDD-60/13□	DW/B/G	66	5.3	FF		IDD-60□HV
IDD-60/13RS (30%)	R	66	2.7	6F	2	IDD-60RHVS30
IDD-60/13□ (30%)	DW/B/G	66	5.3	FF		IDD-60□HVS30
IDD-120/30R	R	312	12.5	76	3	IDD-120RHV
IDD-120/30□	DW/B/G	312	25	FF		IDD-120□HV
IDD-120/30RS (30%)	R	312	12.5	76	4	IDD-120RHVS30
IDD-120/30□ (30%)	DW/B/G	312	25	FF		IDD-120□HVS30

- ★ □ represents DW = white, B = blue, or G = green.
- ★ A diffusing dome (transmissivity of 30%, 60%, 80%) can be mounted.
- ★ Number of LEDs, power consumption, SAG value, and outline drawing are for DC12V products. Please contact us for specifications of DC24V products.
- * SAG represents the maximum SAG setting value. For details, refer to page 56.



Effect Clear profiles can be recognized by direct irradiation from a close distance



Ring light



IDD-120/30BS (30%)



Ring light



IDD-120/30DWS (30%)